

KUSA Industrial Power Over Ethernet Injector



KY-INJ-HIPOE50

Industrial 1-port Gigabit High Power, High Performance PoE Injector

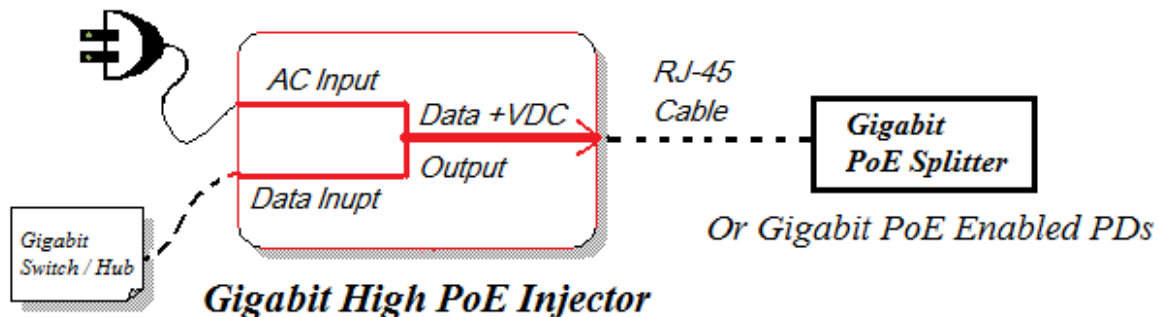


CYBER-SECURE TECHNOLOGY

Description:

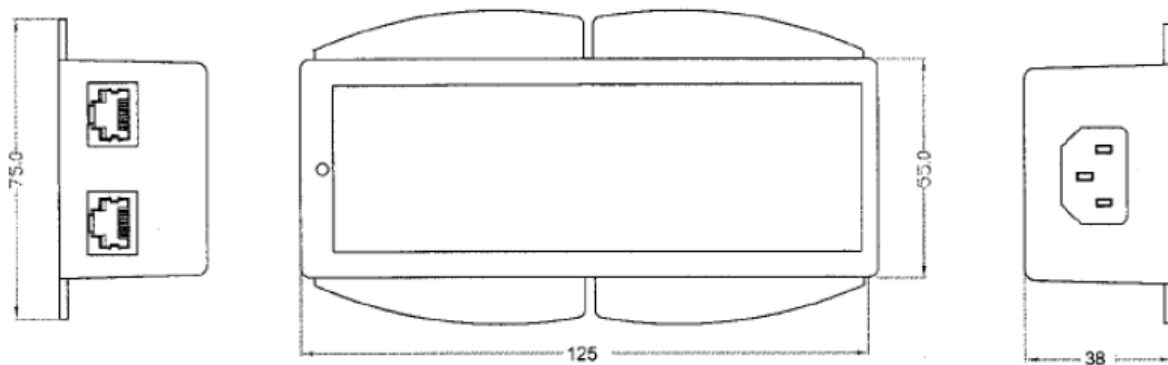
The KY-INJ-HIPOE50 is a Gigabit high power, high performance PoE injector, used to deliver up to 50 Watts of power over a Gigabit Ethernet Data Connection. Equipped with CYBER-SECURE Technology, the injector can deliver up to 50 Watts of power, across the 4 gigabit pairs of an RJ-45 copper cable (Cat 5E or Better). This is an Industrial strength Power over Ethernet Injector, suitable for indoor or outdoor use (Wide Temperature Range).

Functional Diagrams:



* All specifications are subject to change without notice.

Dimensions:



Connector and Pin Definitions:

Pin	RJ-45 Input (Data Only)		RJ-45 PoE Output (Data & Power)	
	Symbol	Description	Symbol	Description
1	Rx+	Data Receive	Rx+	Data Receive
2	Rx-	Data Receive	Rx-	Data Receive
3	Tx+	Data Transmit	Tx+	Data Transmit
4	Data	Data	+Vdc	Power(+)+Data
5	Data	Data	+Vdc	Power(+)+Data
6	Tx-	Data Transmit	Tx-	Data Transmit
7	Data	Data	-Vdc	Power(-)+Data
8	Data	Data	-Vdc	Power(-)+Data

Note : Pin 7 and 8 (-Vdc) should not be shorted to ground.



Specifications:

KUSA PoE Injector Model	KY-INJ-HIPOE50
Input AC Power Port	
Input Voltage	AC 90V ~ 264V @120V/230V
Input Frequency	47 ~ 63 Hz
Input Current	0.85A at 120Vac 0.93A at 230Vac
PoE Output Voltage and Current	
Output Voltage	+56 VDC
Max. Load	893mA
Max. Power	50W
IEE802.3af Detection	No
Min. Load	0.01A
Efficiency	
Efficiency	78% min. at Full load, AC 120V & 230V Input
Protection	
Short Circuit Protection	It will not damage the PoE Injector if Output Short to GND by other Terminal. The PoE Injector process Auto-Recover when Load status comes back.
Over Load Protection	120% ~ 160% @120Vac input full load.
Input Fuse Protection	Present
LED Indication	Power OK : Green light.
PoE Detection	802.3af Detection Mechanism Available (OPTION)
Physical Characteristic	
Enclosure	IP-30
Dimension (L x W x H)	125 x 75 x 38 mm
Weight (g)	210g
Environmental	
Storage Temperature	-40 to 85°C (-40 to 176°F)
Operating Temperature	-40 to 80°C (-40 to 176°F)
Operating Humidity	5% to 90% Non-condensing
Regulatory approvals	
EMI	FCC Class B, EN55022 class B
Safety	EN60950
Warranty	2 years

Ordering Information:

	Model Name	Description
ORDER Model	KY-INJ-HIPOE50	Industrial 1-port Gigabit High Power PoE Injector, US power cord, with CYBER-SECURE Technology - 50 Watt

KUSA
1107 SE Willow Place
Blue Springs, Missouri 64014



Telephone: (219) 595 - 2631
(816) 988 - 7861
FAX: (480) 287 - 8605
Email: Sales@KUSA1.co